

CANDY CANE FERRIS WHEEL INSTRUCTIONS

Please check that you have all parts. (Located in attached bag)

- 4 ground stakes
- 2 wing bolts
- 1 pkg. of asst. color clips (replacement)
- 1 SILVER 3 point controller
- 3 jumper cords
- Pull ties

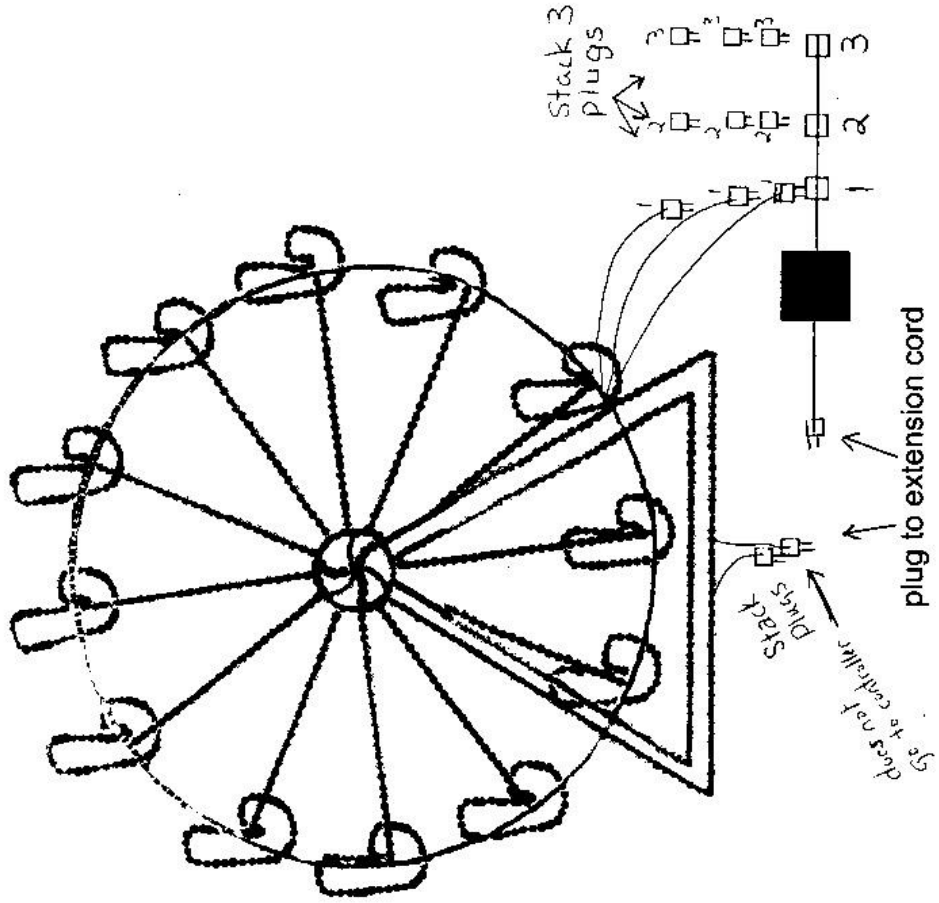
Unfold display being careful not to stretch any attached wires. There are 2 hinges on the display. On each side attach two small metal plates at hinges together by screwing wing bolt into metal plates to. Make sure bolt is on opposite side of the nut which is attached. Do not screw bolt into the side with the nut first. Candy Cane Ferris Wheel will need extra support which is not included. You can do this with an extra stakes placed behind the display, driven into the ground, and tied to the frame using a twist tie or a cable tie. You can also use PVC pipe as reinforcement and guy wires to hold the frame. This is usually a two person job for an item this large.

Attach ground stakes by screwing them into the bottom provided slots. You may need an adjustable wrench.

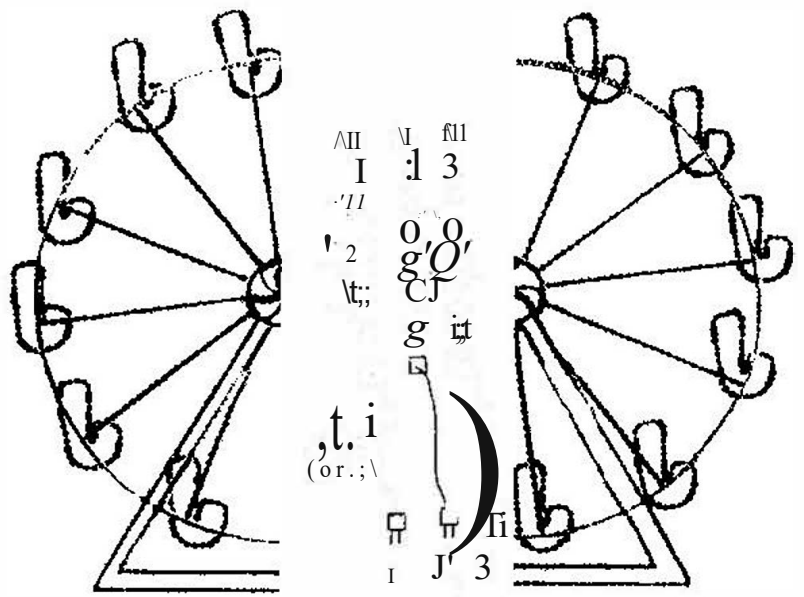
Push ground stakes gently into the ground. You can do this with your foot and using a back and forth motion to inch each side gradually into the ground.

1. Plug controller into an extension cord.
2. Plug 3 female Jumper cords provided into the controller as labeled 1 to 1, 2 to 2, and 3 to 3.
3. In the center of the Ferris wheel, there are 4 male plugs each labeled 1, 2 or 3. Plug all 1's into female end of jumper cord provided marked #1. Plug all #2 male plugs into female end of jumper cord marked #2 and all #3 into jumper cord marked #3.
4. Toward the bottom of the Ferris wheel there are 2 each of male plugs marked 1, 2 and 3. Plug all #1 into controller female plugged #1, #2 into #2, and #3 into #3. You will have to stack the plugs as pictured in diagram.
5. The two unmarked male plugs at the bottom do not plug into a controller. Stack these plugs and plug into extension cord.
6. Adjust speed to your liking.

For the best look, straighten clips. Also, if you live in an area with lots of rain or snow, you may want to take extra precaution to cover your controllers. See our website for ideas on how to protect your controller.



4 plugs in center each labeled 1, 2, and 3
 plug into labeled extension cords (female end)
 Male end will go to the controller.



to , , , \coll' • '0')
 " I J 3
 - 8 - E 3 U
) if
 plug to extension cord